



*Largest manufacturer
and supplier
of hardware products
in Ukraine*

CATALOG FENCING SOLUTIONS



CONTENT

| | |
|--|----|
| Introduction | 3 |
| About the company | 4 |
| Quality | 5 |
| D-Fence 3-D LE panel «Light Edition» | 8 |
| D-Fence 3-D SE panel «Standard Edition» | 9 |
| D-Fence 3-D XS panel «Extra Strong»..... | 10 |
| Standard sizes and geometry of 3D panels | 11 |
| D-Fence 2-D SE panel «Standard Edition» | 13 |
| D-Fence 2-D XS panel «Extra Strong» | 14 |
| D-Fence 2-D type 358 «Anticlimb» | 16 |
| D-Fence Industrial protection fence «PRO-TECT» | 18 |
| D-Fence movable fence «D-FENCE MOBILE»..... | 20 |
| D-Fence Gabion mesh panels «D-Fence Gabion» | 22 |
| Panel accessories | 23 |

INTRODUCTION

PJSC “Dneprometiz” provides such new products as modern sections of panel fences. To start their production in 2021, we have installed a complex of the latest Western European equipment.

The products, namely the sections of panel fences, as well as pillars of supports and fasteners, are made according to European technology with the use of high-quality materials.

The key indicators of the quality of “Dneprometiz” panel fencing sections and their differences from competitors' offers in Ukraine are the following:

- High corrosion resistance of sections. “Dneprometiz” is the only company in Ukraine that uses OXSILAN® technology, tested and recognized in automotive industry, while preparing galvanized surface for powder coating in order to prevent corrosion. The use of OXSILAN® (or its direct European analogues) increases the corrosion resistance of the product by 2-5 times.
- Normalized resistance of welded joints.
- Compliance of the wire thicknesses with the declared dimensions, as well as higher impact strength of the sections.

A firm written manufacturer's warranty is provided for panel fencing sections, which lasts for 7-15 years. The warranty period is based on such objective criteria:

The warranty period is based on such objective criteria:

- All products are galvanized.
- 5 stages of surface preparation in an automatic tunnel with the application of OXSILAN® conversion nanocoating.
- The use of branded architectural polymer paints with high outside resistance, including those approved by QUALICOAT.

The surface appearance warranty

“Dneprometiz” guarantees that during the term of this warranty the following defects will not occur on the front side of the product:

- peeling and cracking of the coating;
- uneven strong color change;
- rust spots.

Warranty on technical specifications

“Dneprometiz” guarantees that during the warranty period no elements of the panel fencing sections will be corroded all the way through.

ABOUT THE COMPANY

PPJSC “Dneprometiz” is located in the city of Dnipro, known as the industrial center, including outside of Ukraine. The plant is a leading metalware manufacturer in Ukraine specializing in the production of low and high carbon wire.

Products of PJSC “Dneprometiz” are used in mechanical engineering, construction, agricultural industry, when performing repair work, in the service sector and other areas of activity.

The company's products are in demand both in Ukraine and in European countries. The geography of export supplies covers more than 50 countries.



MORE THAN 130 YEARS OF EXPERIENCE: the company was founded in 1890

MORE THAN 50 COUNTRIES OF THE WORLD: extensive geography of supplies

MORE THAN 100,000 TONS OF PRODUCTS: annual production

TRUST: we value our reputation and we have been maintaining the trust of our customers for more than 130 years thanks an individual approach and a high level of customer orientation.

INNOVATIONS: we invest in innovations and offer environmentally friendly products of European standards.

TEAM: dedicated and professional employees united by a common corporate culture and sharing core values of the company: attention to customers, efficiency and operational responsiveness, respect for people, team work, security in all its manifestations.



WE CREATE
NEW SOLUTIONS
FOR MAXIMUM
SATISFACTION
CONSUMER EXPECTATIONS

QUALITY

One of the main tasks of “Dneprometiz” is to produce high-quality products that meet all customer demands and standards of the modern industry.

The company has implemented a quality management system (QMS), which corresponds to requirements of standards: national DSTU ISO 9001:2015 and international ISO 9001:2015.

QMS is certified in the international DEKRA system by the certification authority of GLOBAL-CERTIFIC LLC.

The panel fencing sections should be strong and durable, since they have to withstand the influence of weather conditions and other environmental influences.



To ensure that the sections are resistant to these factors for many years of operation, high precision in production and additional means of protection against corrosion of galvanized wire are essential. PJSC “Dneprometiz” is the only manufacturer in Ukraine that has implemented the process of pretreatment of galvanized wire before applying polymer coatings.

The cooperation of PJSC “Dneprometiz” and Private Company “MIM”, which is the official distributor of the BASFChemetall Group in Ukraine, helped to ensure the durability and reliability of the panel fencing sections.

Environmental protection and concern for the health of personnel are the main reasons, because of which “Dneprometiz” decided in favor of OXSILAN nanocoating by BASFChemetall.

The consumer receives environmentally friendly products with long-term corrosion protection, having a very stable and high-quality surface. They are ideal for applying coatings with high weather resistant polymer paints.

The quality of welded sections produced by “Dneprometiz” has no analogues in Ukraine.

As a result of processing galvanized wire, a coating is obtained that can withstand 1,000 hours in a salt fog. This means that the sectional fence will last without loss of operational qualities for at least 10 years.

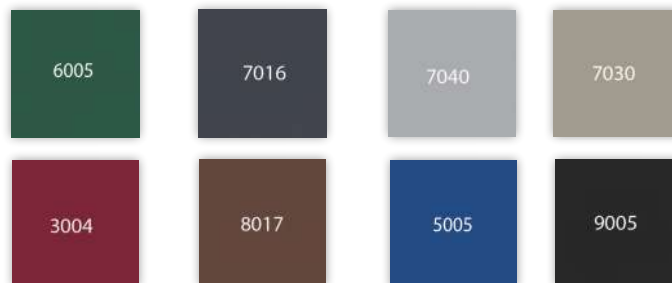
DIFFERENCES FROM COMPETITORS 'OFFERS

- A galvanized steel rod is used for the manufacture of fencing sections according to EN 10244-2.
- The corrosion resistance of the sections is increased by 5 times due to the special treatment of galvanized wire according to OXSILAN technology.
- Welded joints are made using technology that allows maximum preservation of the galvanized layer at the welding sites.
- Compliance of wire thicknesses with the declared dimensions.
- High impact strength of panels.
- Written manufacturer's warranty from 7 to 15 years.

BENEFITS WHEN ORDERING SECTIONS

- Reliability, aesthetic appearance, ease of installation.
- Saving time, effort and finances: installation in a short time and without the participation of a welder.
- During operation, additional painting is not required.
- Certificates.
- Timely delivery.
- Consultation with a specialist.
- Calculation of the order.
- Possibility to make sections according to individual dimensions.
- Environmentally friendly products.
- Wide range of colors.

RAL SECTION COLOR



PURPOSE:

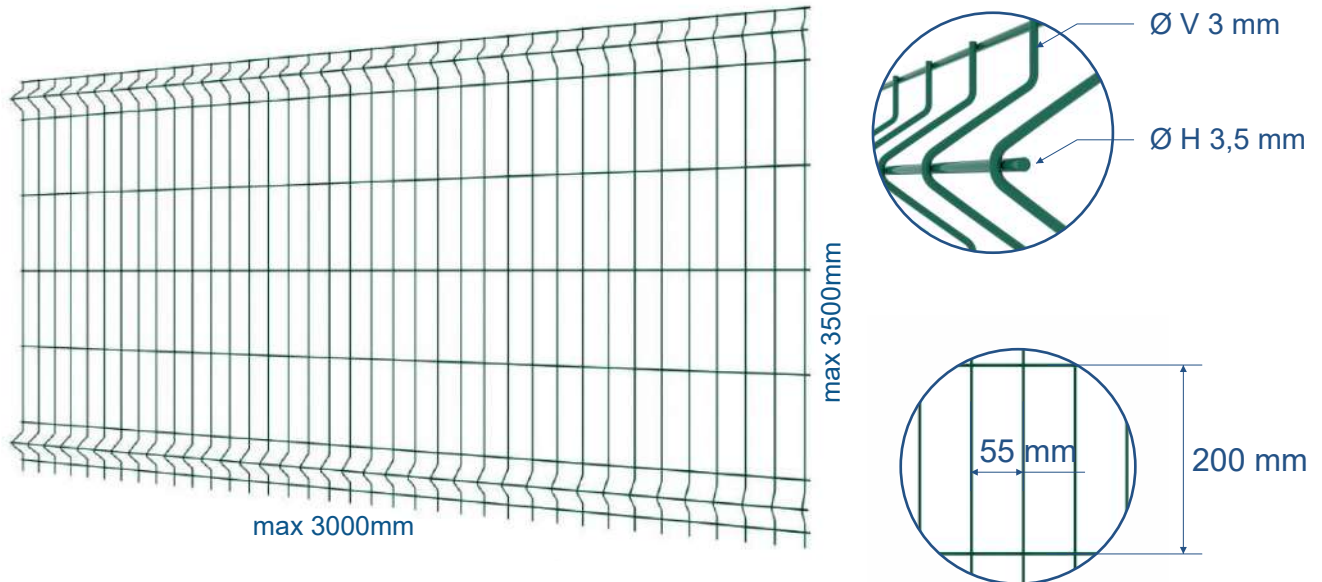
- **Fencing sections with 3D bending and flat 2D:** suburban areas and private urban households, territories of home unit companies and building cooperatives, territories of kindergartens and schools, territories of railway and bus stations, airports, playgrounds and sports grounds, parks, parking lots for various types of transport, stadiums and sporting complexes, football fields and tennis courts, aviaries for pets, production areas and warehouse complexes, farms, greenhouses and pastures, high-security facilities that require enhanced security, NPPs, state district power plants.
- **Fencing sections "SECURITY-358":** airports, military facilities, for the protection of the state border perimeter, penitentiary institutions, other special facilities with special requirements for perimeter protection systems.
- **Industrial intra-shop fences "Protect":** production areas and sites, airports, industrial enterprises, schools, playgrounds, train stations, parking lots.
- **Mobile fences:** temporary storage sites, construction sites, areas of emergency recovery work rescue zones, temporary restriction of access, separation of human flows during mass events.
- **Gabion structures:** strengthening of slopes and slopes of embankments, strengthening of embankments of roads and railways, river and sea shore protection, construction of fences, landscaping, soundproofing.



FENCING SOLUTIONS WITH 3-D FLEX

D-FENCE 3-D LE PANEL «LIGHT EDITION»

WIRE COATING: hot-dip galvanized and powder coated (Zn / ZnAL + Pes (polyester)).



SPECIFICATIONS

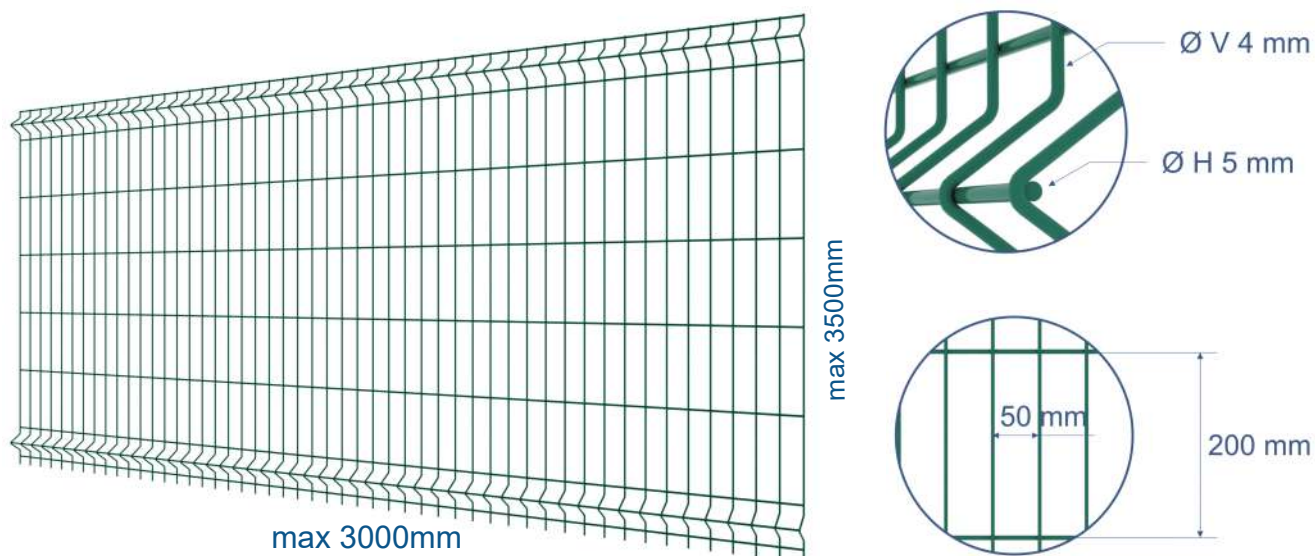
| Section type | Marking | Rods diameter | | Fence width, mm | Fence height, mm | Mesh size | | Ribs number |
|--------------------------------------|---------|------------------|----------------|-----------------|------------------|------------|--------------|-------------|
| | | H (horizontally) | V (vertically) | | | vertically | horizontally | |
| D-Fence 3-D LE panel «Light Edition» | H3,5 V3 | 3,5 | 3 | 2000 | 630 | 200 | 55 | 2 |
| | | | | | 1030 | 200 | 55 | 2 |
| | | | | 2500 | 1230 | 200 | 55 | 2 |
| | | | | | 1530 | 200 | 55 | 3 |
| | | | | | 1730 | 200 | 55 | 3 |
| | | | | | 1930 | 200 | 55 | 3 |
| | | | | | 2030 | 200 | 55 | 4 |

AT THE REQUEST OF THE CONSUMER, IT IS POSSIBLE TO MANUFACTURE SECTIONS OF OTHER SIZES.

| Mounting accessories | The size | Height, mm | Recommended quantity of fasteners |
|----------------------|--|------------|-----------------------------------|
| POST, nut - riveting | 60x40x1,2 mm 60x40x1,4 mm 60x40x1,5 mm | 1500 | 3 |
| | | 2000 | 4 |
| | | 2200 | 4 |
| | | 2500 | 4 |
| | | 3000 | 5 |
| Fasteners | bracket - clamp + screw 6x30, screw 6x40 | | |

D-FENCE 3-D SE PANEL «STANDARD EDITION»

WIRE COATING: hot-dip galvanized and powder coated (Zn / ZnAL + Pes (polyester)).



SPECIFICATIONS

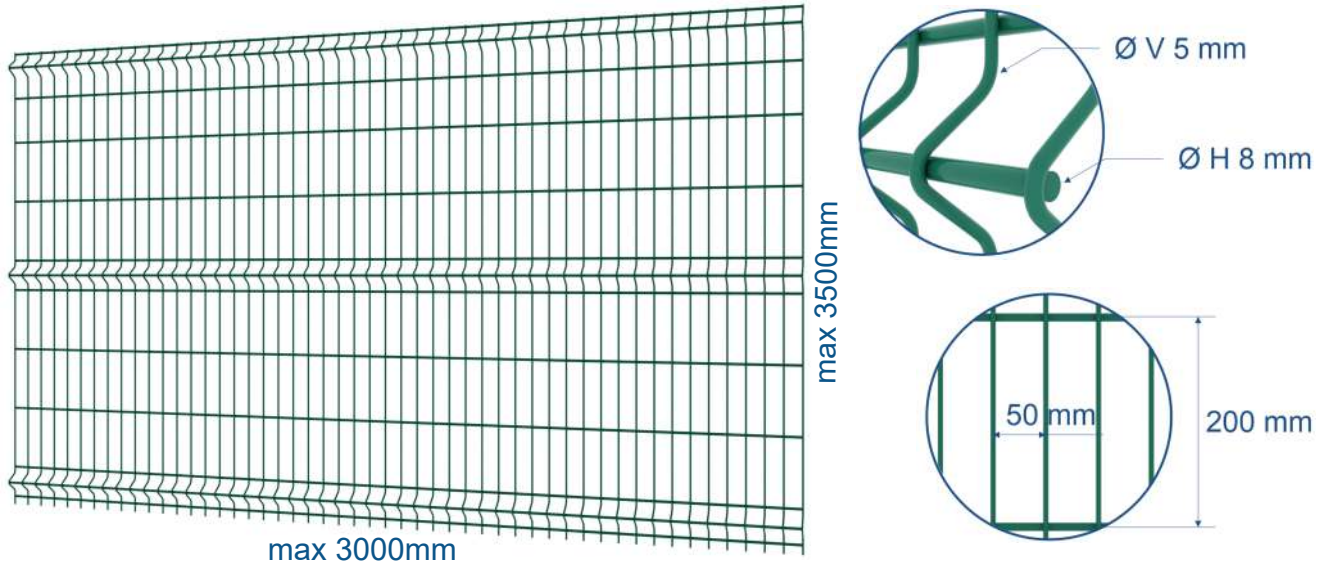
| Section type | Marking | Rods diameter | | Fence width, mm | Fence height, mm | Mesh size | | Ribs number |
|---|---------|------------------|----------------|-----------------|------------------|------------|--------------|-------------|
| | | H (horizontally) | V (vertically) | | | Vertically | Horizontally | |
| D-Fence 3-D SE panel «Standard Edition» | H4V3 | 4 | 3 | 2500 | 1030 | 200 | 50 | 2 |
| | | | | | 1230 | 200 | 50 | 2 |
| | | | | | 1530 | 200 | 50 | 3 |
| | | | | | 1730 | 200 | 50 | 3 |
| | | | | | 1930 | 200 | 50 | 3 |
| | | | | | 2030 | 200 | 50 | 4 |
| | H4V4 | 4 | 4 | 2500 | 2430 | 200 | 50 | 4 |
| | | | | | 1030 | 200 | 50 | 2 |
| | | | | | 1230 | 200 | 50 | 2 |
| | | | | | 1530 | 200 | 50 | 3 |
| | | | | | 1730 | 200 | 50 | 3 |
| | | | | | 1930 | 200 | 50 | 3 |
| | H5V5 | 5 | 5 | 2500 | 2030 | 200 | 50 | 4 |
| | | | | | 2430 | 200 | 50 | 4 |
| | | | | | 1030 | 200 | 50 | 2 |
| | | | | | 1230 | 200 | 50 | 2 |
| | | | | | 1530 | 200 | 50 | 3 |
| | | | | | 1730 | 200 | 50 | 3 |
| | | | | | 1930 | 200 | 50 | 3 |
| | | | | | 2030 | 200 | 50 | 4 |
| | | | | | 2430 | 200 | 50 | 4 |

AT THE REQUEST OF THE CONSUMER, IT IS POSSIBLE TO MANUFACTURE SECTIONS OF OTHER SIZES.

| Mounting accessories | The size | Height, mm | Recommended quantity of fasteners |
|----------------------|--|------------|-----------------------------------|
| POST, nut - riveting | 60x40x1,2 mm 60x40x1,4 mm 60x40x1,5 mm | 1500 | 3 |
| | | 2000 | 4 |
| | | 2200 | 4 |
| | | 2500 | 4 |
| | | 3000 | 5 |
| Fasteners | bracket - clamp + screw 6x30, screw 6x40 | | |

D-FENCE 3-D XS PANEL «EXTRA STRONG»

WIRE COATING: hot-dip galvanized and powder coated (Zn / ZnAL + Pes (polyester)).



SPECIFICATIONS

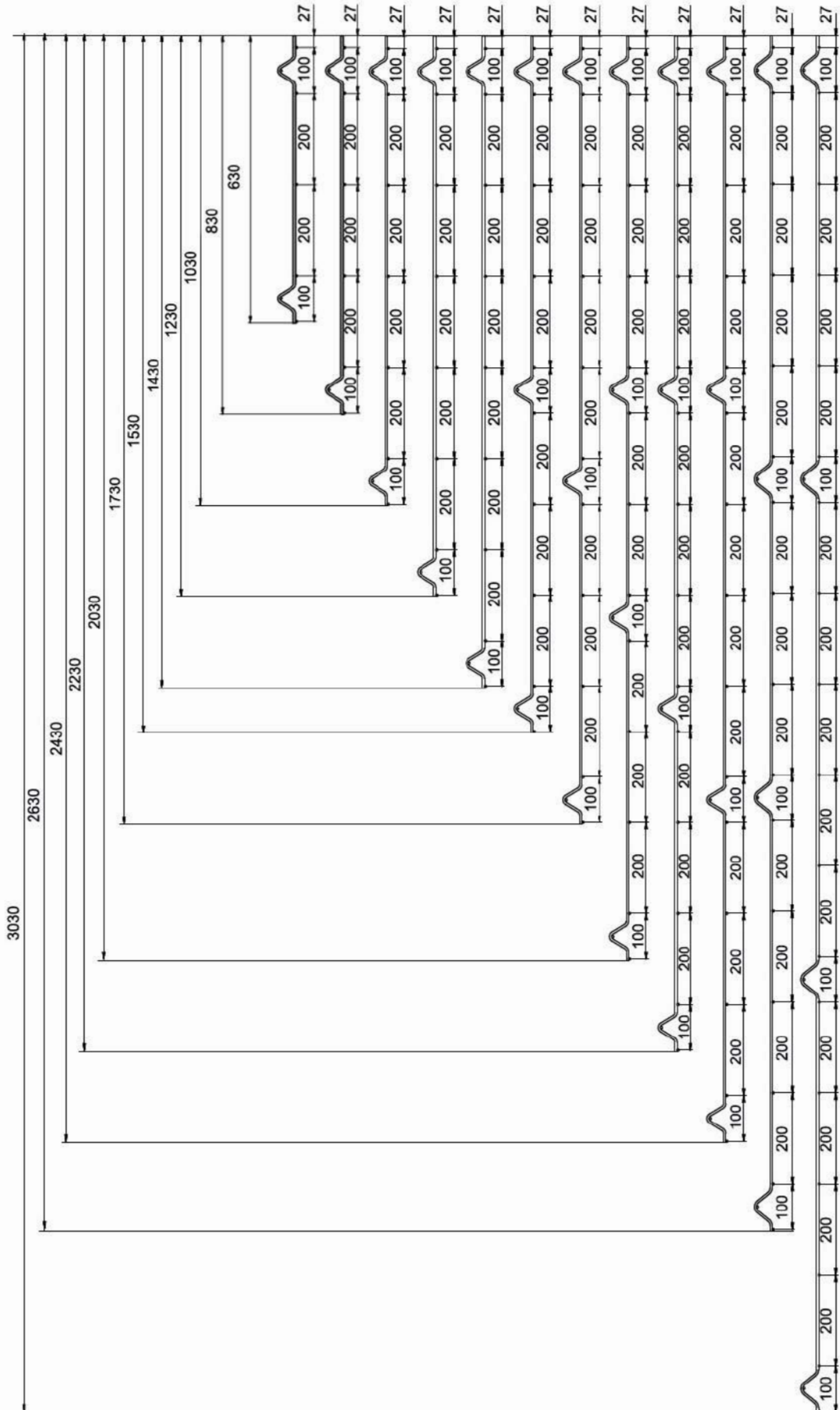
| Section type | Marking | Rods diameter | | Fence width, mm | Fence height, mm | Mesh size | | Ribs number |
|-------------------------------------|---------|------------------|----------------|-----------------|------------------|------------|--------------|-------------|
| | | H (horizontally) | V (vertically) | | | Vertically | Horizontally | |
| D-Fence 3-D XS panel «Extra Strong» | H8V5 | 8 | 5 | 2500 | 1230 | 200 | 50 | 2 |
| | | | | | 1530 | 200 | 50 | 3 |
| | | | | | 2030 | 200 | 50 | 4 |
| | | | | | 2430 | 200 | 50 | 4 |
| | | | | 3000 | 3030 | 200 | 50 | 5 |

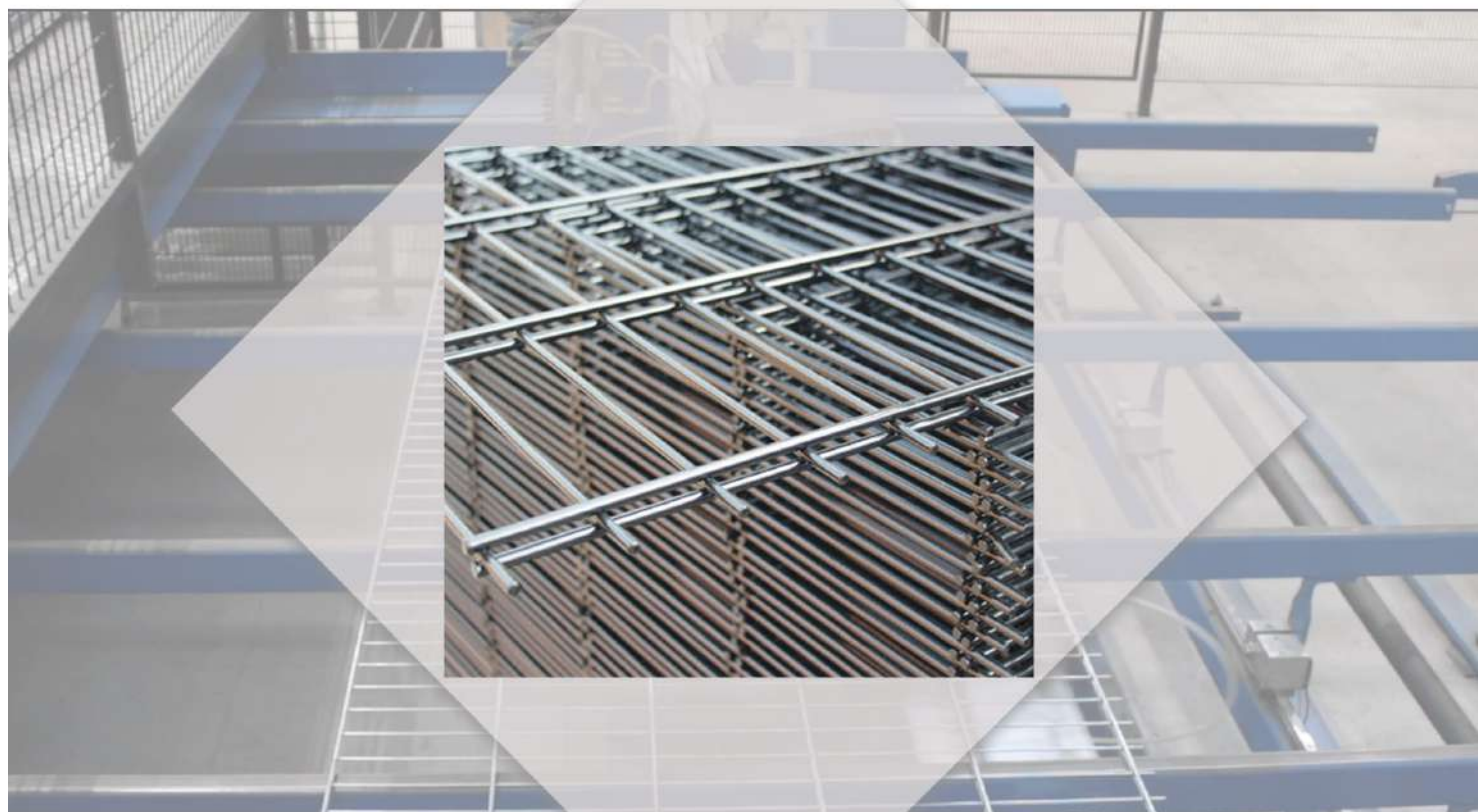
AT THE REQUEST OF THE CONSUMER, IT IS POSSIBLE TO MANUFACTURE SECTIONS OF OTHER SIZES.

| Mounting accessories | The size | Height, mm | Recommended quantity of fasteners |
|----------------------|--|------------|-----------------------------------|
| POST, nut - riveting | 60x40x1,2 mm 60x40x1,4 mm 60x40x1,5 mm | 1500 | 3 |
| | | 2000 | 4 |
| | | 2200 | 4 |
| | | 2500 | 4 |
| | | 3000 | 5 |
| Fasteners | bracket - clamp + screw 6x30, screw 6x40 | | |

STANDARD DIMENSIONS AND GEOMETRY

3D SECTIONS OF PANEL FENCES

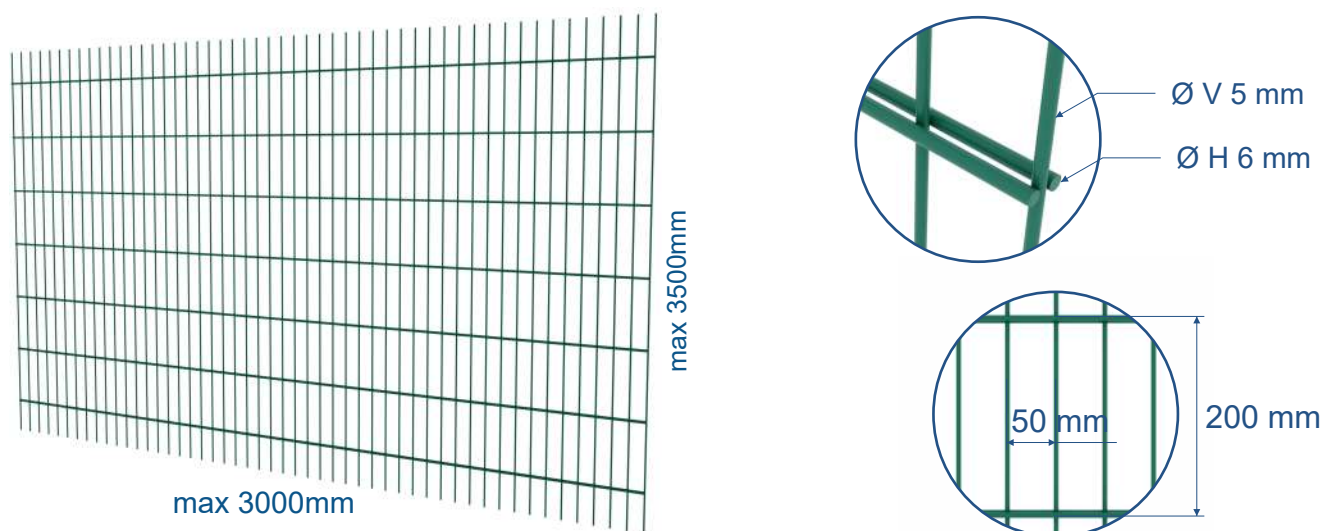




PANEL FENCING SECTIONS FLAT 2D

D-FENCE 2-D SE PANEL «STANDARD EDITION»

WIRE COATING: hot-dip galvanized and powder coated (Zn / ZnAL + Pes (polyester)).



SPECIFICATIONS

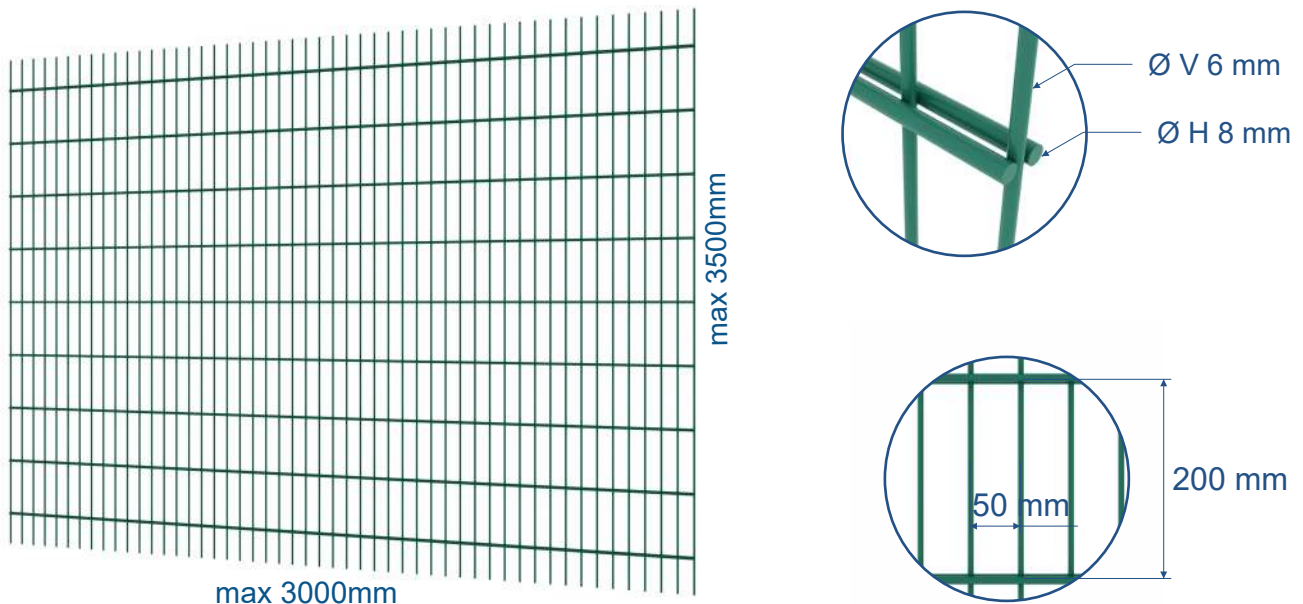
| Section type | Marking | Rods diameter | | Fence width, mm | Fence height, mm | Mesh size | | |
|---|---------|------------------|----------------|-----------------|------------------|------------|--------------|----|
| | | H (horizontally) | V (vertically) | | | Vertically | Horizontally | |
| D-Fence 2-D SE panel «Standard Edition» | 2H5V4 | 5 | 4 | 2000 | 1230 | 200 | 50 | |
| | | | | 2500 | 1030 | 200 | 50 | |
| | | | | | 1230 | 200 | 50 | |
| | | | | | 1430 | 200 | 50 | |
| | | | | | 1630 | 200 | 50 | |
| | | | | | 1830 | 200 | 50 | |
| | | | | | 2030 | 200 | 50 | |
| | 2230 | 200 | 50 | | | | | |
| | 2H6V5 | 6 | 5 | 3000 | 3030 | 200 | 50 | |
| | | | | 2500 | 2000 | 1230 | 200 | 50 |
| | | | | | 1030 | 200 | 50 | |
| | | | | | 1230 | 200 | 50 | |
| | | | | | 1430 | 200 | 50 | |
| | | | | | 1830 | 200 | 50 | |
| 2030 | | | | 200 | 50 | | | |
| 3000 | 3030 | 200 | 50 | | | | | |

AT THE REQUEST OF THE CONSUMER, IT IS POSSIBLE TO MANUFACTURE SECTIONS OF OTHER SIZES.

| Mounting accessories | The size | Height, mm | Recommended quantity of fasteners |
|----------------------|--|------------|-----------------------------------|
| POST, nut - riveting | 60x40x1,2 mm 60x40x1,4 mm 60x40x1,5 mm | 1500 | 3 |
| | | 2000 | 4 |
| | | 2200 | 4 |
| | | 2500 | 4 |
| | | 3000 | 5 |
| Fasteners | bracket - clamp + screw 6x30, screw 6x40 | | |
| POST, nut - riveting | 60x80x1,8 mm 60x80x2,0 mm | 4000 | 9 |
| | | 5000 | 12 |
| Fasteners | fixing bracket + rubber seal (2 pcs.) + screw 8x60 | | |

D-FENCE 2-D XS PANEL «EXTRA STRONG»

WIRE COATING: hot-dip galvanized and powder coated (Zn / ZnAL + Pes (polyester)).



SPECIFICATIONS

| Section type | Marking | Rods diameter | | Fence width, mm | Fence height, mm | Mesh size | |
|--|---------|------------------|----------------|-----------------|------------------|------------|--------------|
| | | H (horizontally) | V (vertically) | | | Vertically | Horizontally |
| D-FENCE 2-D XS PANEL «EXTRA STRONG» | 2H8V6 | 8 | 6 | 2500 | 1030 | 200 | 50 |
| | | | | | 1230 | 200 | 50 |
| | | | | | 1430 | 200 | 50 |
| | | | | | 1630 | 200 | 50 |
| | | | | | 1830 | 200 | 50 |
| | | | | | 2030 | 200 | 50 |
| | | | | | 2230 | 200 | 50 |
| | | | | 3000 | 2430 | 200 | 50 |

AT THE REQUEST OF THE CONSUMER, IT IS POSSIBLE TO MANUFACTURE SECTIONS OF OTHER SIZES.

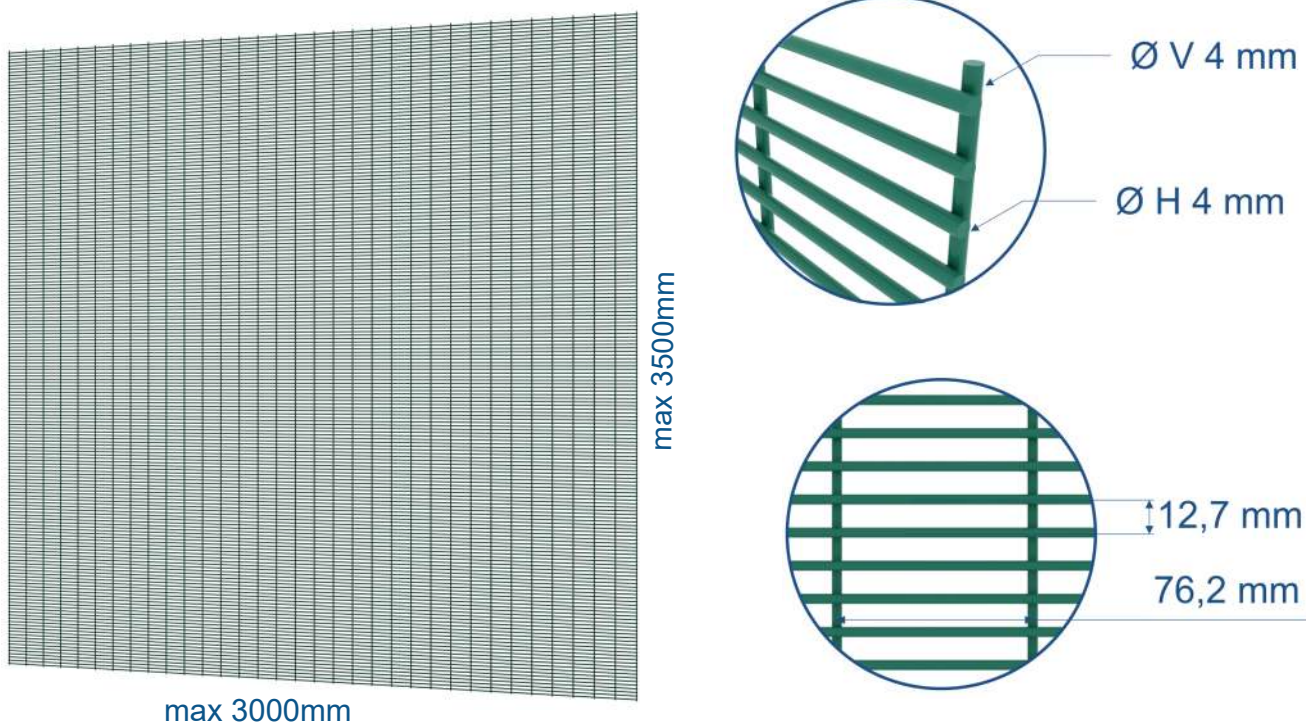
| Mounting accessories | The size | Height, mm | Recommended quantity of fasteners |
|----------------------|--|------------|-----------------------------------|
| POST, nut - riveting | 60x40x1,2 mm 60x40x1,4 mm 60x40x1,5 mm | 1500 | 3 |
| | | 2000 | 4 |
| | | 2200 | 4 |
| | | 2500 | 4 |
| | | 3000 | 5 |
| Fasteners | bracket - clamp + screw 6x30, screw 6x40 | | |
| POST, nut - riveting | 60x80x1,8mm 60x80x2,0 mm | 4000 | 9 |
| | | 5000 | 12 |
| Fasteners | fixing bracket + rubber seal (2 pcs.) + screw 8x60 | | |



PANEL FENCE SECTIONS 358 «ANTICLIMB»

D-FENCE 2-D TYPE 358 «ANTICLIMB»

WIRE COATING: hot-dip galvanized and powder coated (Zn / ZnAL + Pes (polyester)).



SPECIFICATIONS

| Section type | Marking | Rods diameter | | Fence width, mm | Fence height, mm | Mesh size | |
|--|----------------|------------------|----------------|-----------------|------------------|------------|--------------|
| | | H (horizontally) | V (vertically) | | | Vertically | Horizontally |
| D-FENCE 2-D TYPE 358 «ANTICLIMB» | H4V4-358 | 4 | 4 | 2520 | 2010 | 12,7 | 76,2 |
| | | | | | 2417 | 12,7 | 76,2 |
| | | | | | 3001 | 12,7 | 76,2 |
| | H3,5V5,5 - 358 | 3,5 | 5,5 | 2368 | 3500 | 12,7 | 76,2 |
| | H4V6-358 | 4 | 6 | 2520 | 2010 | 12,7 | 76,2 |
| | | | | | 2417 | 12,7 | 76,2 |
| 3001 | | | | | 12,7 | 76,2 | |

AT THE REQUEST OF THE CONSUMER, IT IS POSSIBLE TO MANUFACTURE SECTIONS OF OTHER SIZES.

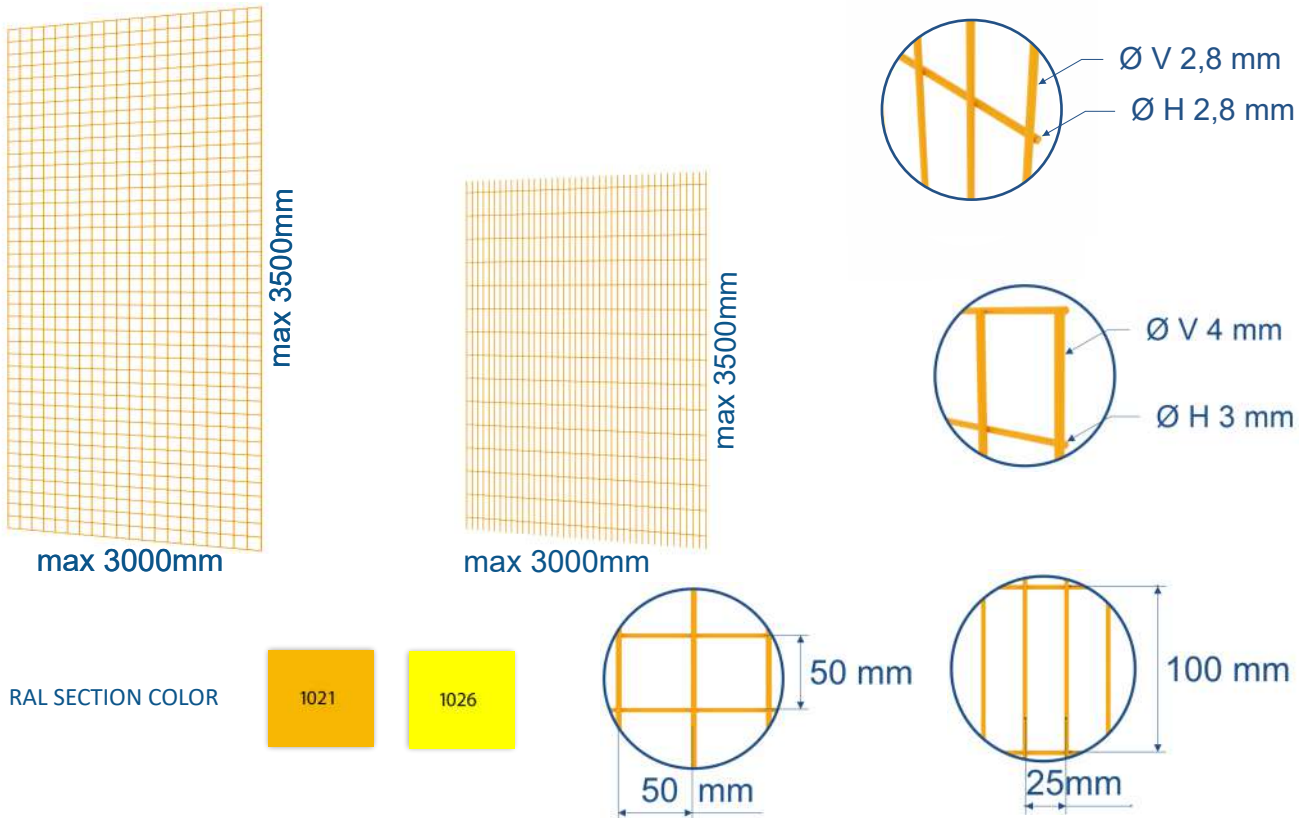
| Mounting accessories | The size | Height, mm | Recommended quantity of fasteners |
|----------------------|--|------------|-----------------------------------|
| POST, nut - riveting | 60x80x1,8 mm 60x80x2,0 mm | 2500 | 12 |
| | | 3000 | 15 |
| | | 4000 | 20 |
| Fasteners | bracket - clamp + screw 6x30, screw 6x40 | | |



INDUSTRIAL PROTECTION FENCE «PRO-TECT»

D-FENCE INDUSTRIAL PROTECTION FENCE «PRO-TECT»

WIRE COATING: hot-dip galvanized and powder coated (Zn / ZnAL + Pes (polyester)).



SPECIFICATIONS

| Section type | Marking | Rods diameter | | Fence width, mm | Fence height, mm | Mesh size | |
|--|----------|------------------|----------------|-----------------|------------------|------------|--------------|
| | | H (horizontally) | V (vertically) | | | Vertically | Horizontally |
| D-FENCE INDUSTRIAL PROTECTION FENCE «PRO-TECT» | H2,8V2,8 | 2,8 | 2,8 | 1000 | 1500 | 100 | 25 |
| | H2,8V3 | | 3 | 1500 | 2400 | 100 | 40 |
| | H3V3 | 3 | 3 | 1000 | 2000 | 100 | 50 |
| | | | 4 | | 2000 | 50 | 50 |
| | H4V4 | 4 | 4 | 2000 | 50 | 50 | |

AT THE REQUEST OF THE CONSUMER, IT IS POSSIBLE TO MANUFACTURE SECTIONS OF OTHER SIZES.

| Mounting accessories | The size | Height, mm | Recommended quantity of fasteners |
|----------------------|--|------------|-----------------------------------|
| POST, nut - riveting | 60x40x1,4 mm | 1500 | 3 |
| | | 2000 | 4 |
| | | 2200 | 4 |
| | | 2500 | 4 |
| | | 3000 | 5 |
| POST, nut - riveting | 60x80x1,8 mm | 4000 | 8 |
| | | 5000 | 10 |
| Fasteners | bracket - clamp + screw 6x30, screw 6x40 | | |

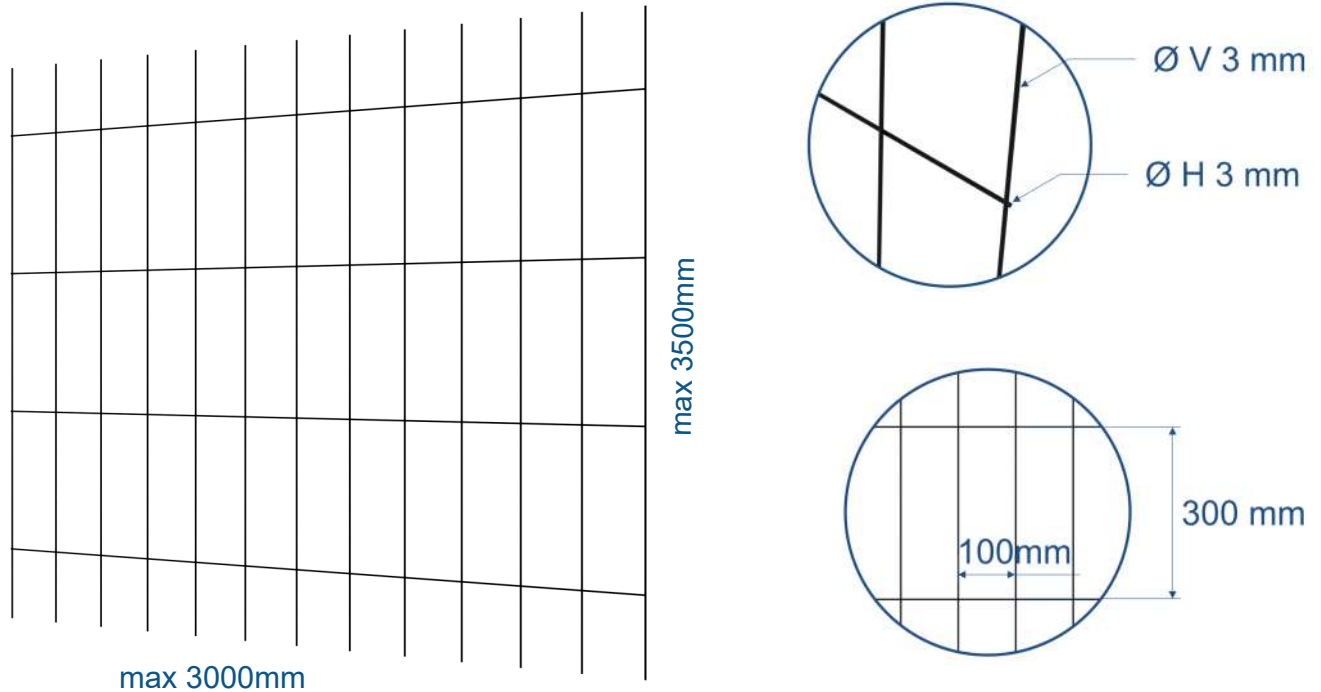


**D-FENCE MOVABLE FENCE
«D-FENCE MOBILE»**

D-FENCE MOVABLE FENCE

«D-FENCE MOBILE»

WIRE COATING: hot-dip galvanized and powder coated (Zn / ZnAL + Pes (polyester)).



SPECIFICATIONS

| Section type | Marking | Rods diameter | | Fence width, mm | Fence height, mm | Mesh size | |
|---|----------|------------------|----------------|-----------------|------------------|------------|--------------|
| | | H (horizontally) | V (vertically) | | | Vertically | Horizontally |
| D-FENCE MOVABLE FENCE «D-FENCE MOBILE» | H3,5V3,5 | 3,5 | 3,5 | 3454 | 1200 | 300 | 100 |
| | | | | | 2000 | 300 | 100 |
| | H3 V3 | 3 | 3 | 2200 | 1200 | 300 | 100 |
| | | | | 1200 | 1200 | 300 | 100 |

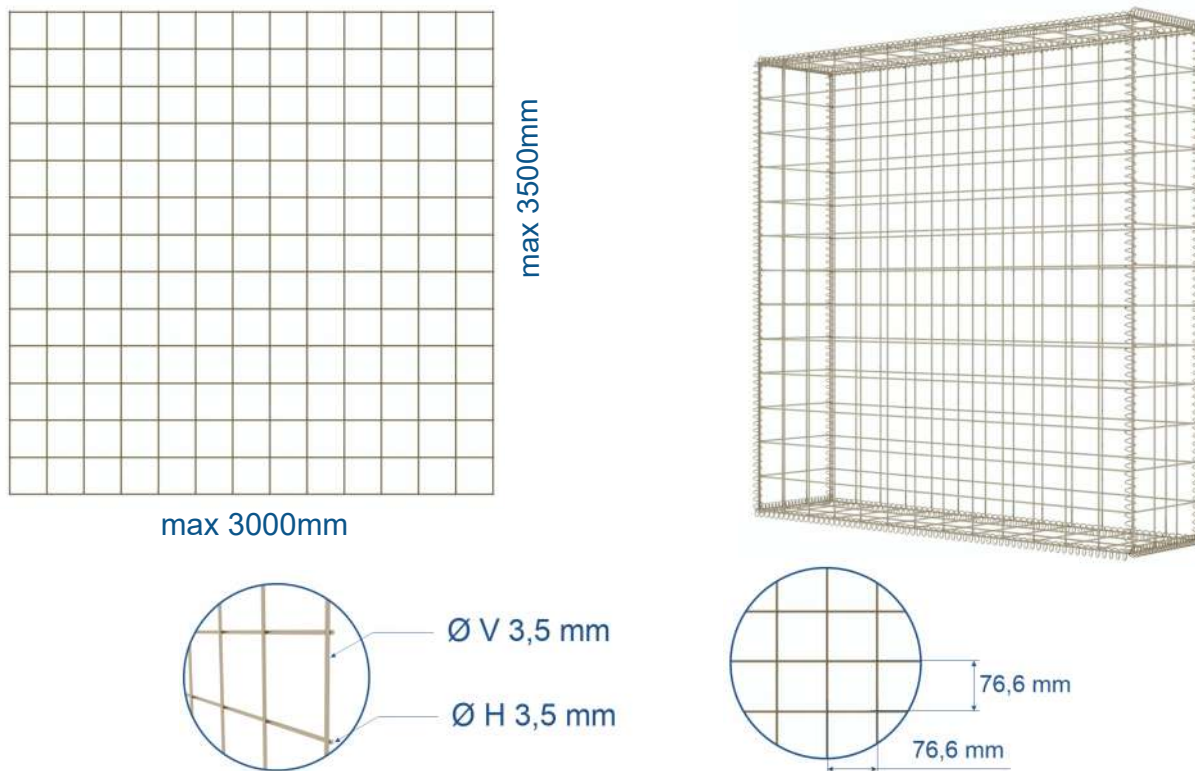
AT THE REQUEST OF THE CONSUMER, IT IS POSSIBLE TO MANUFACTURE SECTIONS OF OTHER SIZES.



GABION MESH PANELS «D-FENCE GABION»

D-FENCE GABION MESH PANELS «D-FENCE GABION»

WIRE COATING: hot-dip galvanized and powder coated (Zn / ZnAL + Pes (polyester)).



SPECIFICATIONS

| Section type | Marking | Rods diameter | | Fence width, mm | Fence height, mm | Mesh size | |
|---|----------|------------------|----------------|-----------------|------------------|------------|--------------|
| | | H (horizontally) | V (vertically) | | | Vertically | Horizontally |
| D-FENCE GABION MESH PANELS «D-FENCE GABION» | H3,5V3,5 | 3,5 | 3,5 | 3000 | 1000 | 200 | 55 |
| | H3,5V3,5 | 3,5 | 3,5 | 2000 | 1000 | 200 | 55 |
| | H3,5V3,5 | 3,5 | 3,5 | 1000 | 1000 | 200 | 55 |
| | H4 V4 | 4 | 4 | 1000 | 500 | 100 | 50 |
| | H4 V4 | 4 | 4 | 1000 | 500 | 100 | 100 |
| | H4 V4 | 4 | 4 | 1000 | 1000 | 100 | 100 |
| | H4 V4 | 4 | 4 | 1000 | 1000 | 100 | 50 |
| | H4 V4 | 4 | 4 | 2000 | 500 | 100 | 100 |
| | H4 V4 | 4 | 4 | 2000 | 500 | 100 | 50 |
| | H4 V4 | 4 | 4 | 3000 | 500 | 100 | 100 |
| H4 V4 | 4 | 4 | 3000 | 1000 | 100 | 100 | |

AT THE REQUEST OF THE CONSUMER, IT IS POSSIBLE TO MANUFACTURE SECTIONS OF OTHER SIZES.

PANEL ACCESSORIES

POSTS

60x40x1,2 mm 60x40x1,4 mm
60x40x1,5 mm

80x60x1,8 mm
80x60x2,0 mm



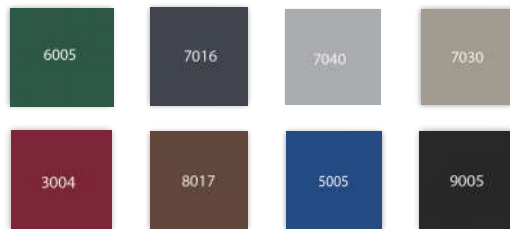
FASTENERS

POSTS 60x40 mm

POSTS 80x60 mm



COLOUR RAL



CLIPS CONNECTING



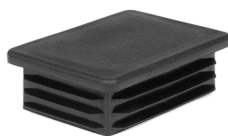
The clip is intended for fastening the panels to each other when organizing turns of the fence and in the case of mounting the fence on steep descents and ascents.

CAP FOR POSTS

INTERNAL

OUTDOOR

60x80 mm



60x40 mm





49000, Ukraine, Dnipro
Slobozhansky Avenue, 20



+38 (067) 726-24-10
+38 (056) 376-26-45



sale@dneprometiz.com
dneprometiz.com

Working hours
Monday Thursday:
8:00 - 17:00
Friday: 8: 00-16: 00